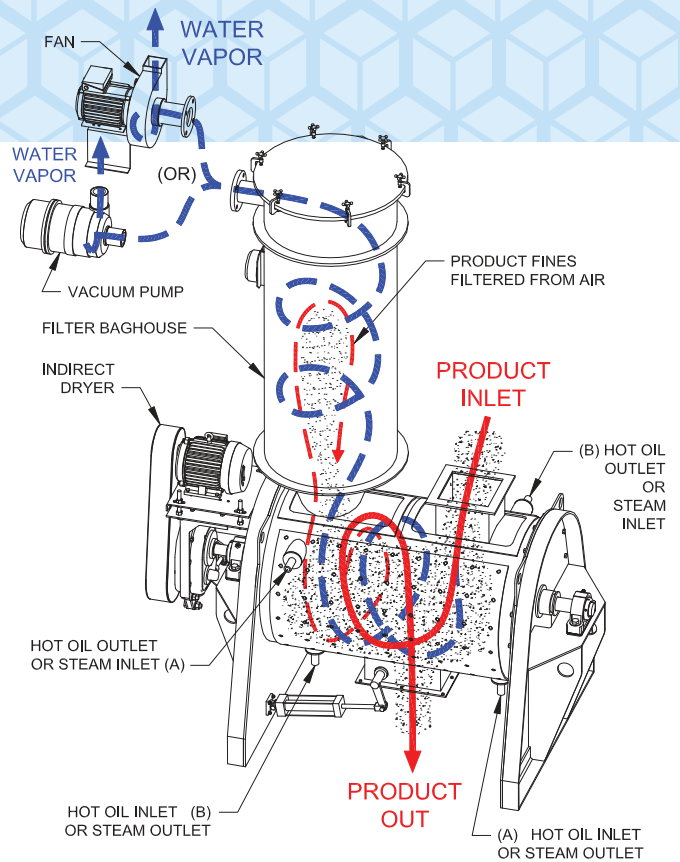


Indirect Batch Dryer

The Indirect Batch Dryer is capable of drying materials to less than 0.5% moisture. The drying process utilizes a mechanically fluidized bed of material to maximize product contact with the reactor vessel.



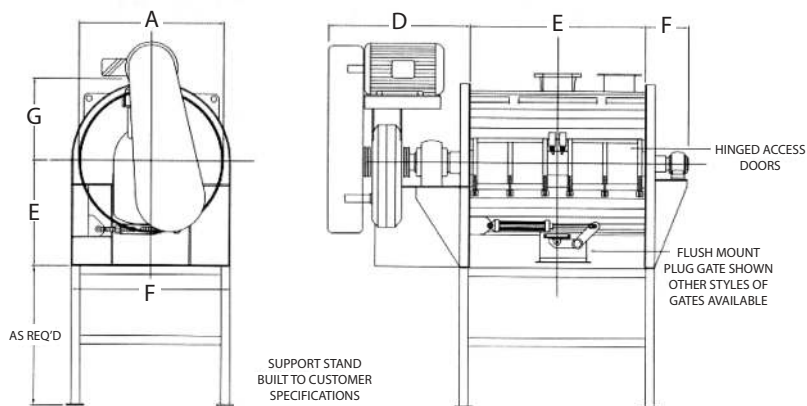
- Compact design requires limited space
- May be operated at atmosphere or under full vacuum
- Hot oil or steam
- High-speed choppers are available for de-agglomerating lumps

Your Global Equipment Supplier for the Solids Processing Industry

Indirect Batch Dryer

Scott Test Facilities are available to the customer for a full range of product testing and analysis.

Custom manufactured in Carbon Steel, 304 Stainless Steel, 316 Stainless Steel, or special alloys



	SIZE	A	B	C	D	E	F	G	CAPACITY
PL243	24" x 30"	24	36	12	32	22	28	15	6 CU.FT.
PL304	30" x 48"	30	48	14	40	26	36	19	10 CU.FT.
PL364	36" x 48"	36	48	14	40	30	42	22	18 CU.FT.
PL488	48" x 96"	48	96	15	44	36	54	28	65 CU.FT.
PL4810	48" x 120"	48	120	15	44	36	54	28	82 CU.FT.
PL5410	54" x 120"	54	120	16	50	40	60	31	100 CU.FT.
PL6012	60" x 144"	60	144	16	54	44	66	34	150 CU.FT.

Dimensions are for reference only. Additional sizes available.



For more information, please contact us:
 605 4th Avenue NW, New Prague MN 56071
 Phone: (800) 394-2591 (952) 758-2591
 Fax: (952) 758-4377
 E-mail: Sales@ScottEquipment.com
 Or visit our website at www.scottequipment.com

Innovative Solutions for Your
 Processing Challenges