



# Cake Feeding System



**Scott Equipment Company** has developed a versatile feeding system that a variety of process industries have come to rely on for their material handling requirements. The Scott Cake Feeder is durably constructed with a cylindrical barrel and vertical agitator. The insightful design of the vertical shaft provides a consistent flow of material for the horizontal discharge screw. The horizontal discharge screw may be fitted with a screw conveyor section or positive displacement pump for materials such as solid shortening, filter cake and wet pet food.

The Scott Cake Feeding System is available with all the necessary sanitary features to meet USDA, FDA and 3A requirements.

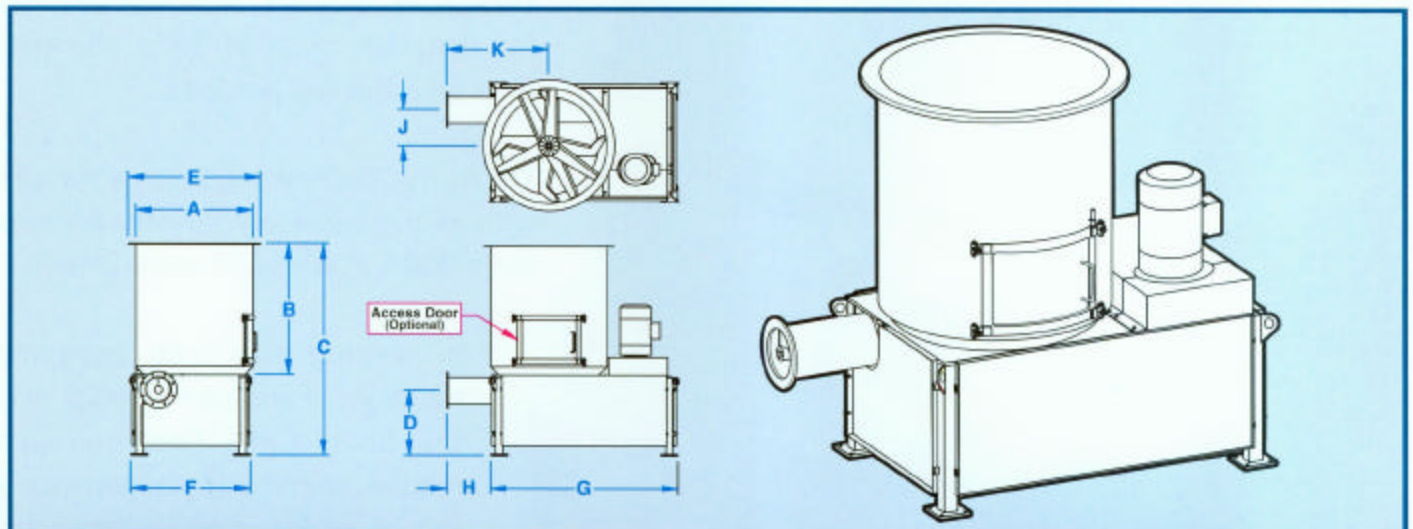
In keeping with Scott Equipment's tradition of innovative engineering, the Scott Cake Feeding System requires minimum maintenance and can be designed to accommodate a broad range of production rates.



- Manufactured in carbon steel, 304 stainless steel or 316 stainless steel
- Steam, oil, electric or water jackets for heating or cooling
- Scott Test Lab Facilities and Rental Program are available for a full range of product testing

# Bridgeless, Trouble-free Feeder for materials with the consistency of a cake or paste

- Carbonates
- Oxides
- Clays
- Pigments
- Filter Cakes
- Sludges
- Mica



**Cake Feeder Dimension Chart**

MODEL NO.	CAPACITY CU FT.	DIA A	DIM B	DIM C	DIM D	DIA E	DIM F	DIM G	DIM H	DIM J	DIM K
30 X 32	10	30	32	78-3/4	42-3/4	33	44	68	16	12-3/8	38
30 x 60	20	30	60	104-3/4	42-3/4	33	44	68	16	12-3/8	38
36 x 36	20	36	36	77-1/2	36	40	52	78	12	12-5/8	37-1/2
36 x 48	26	36	60	89-1/2	36	40	52	78	12	12-5/8	37-1/2
36 x 60	34	36	60	101-1/2	36	40	52	78	12	12-5/8	37-1/2
40 x 36	25	40	36	77-1/2	36	44	52	78	12	15	36
40 x 48	34	40	48	89-1/2	36	44	52	78	12	15	36
40 x 60	43	40	60	101-1/2	36	44	52	78	12	15	36
48 x 48	50	48	48	89-1/2	36	52	56	84	18	15	43
48 x 60	62	48	60	101-1/2	36	52	56	84	18	15	43
48 x 72	75	48	72	113-1/2	36	52	56	84	18	15	43

30" x 32" SCOTT EQUIPMENT COMPANY TEST LAB/RENTAL UNIT (STAINLESS STEEL)

The sizes and capacities of the models listed above are for general purposes only. Each unit is custom designed for the particular application.